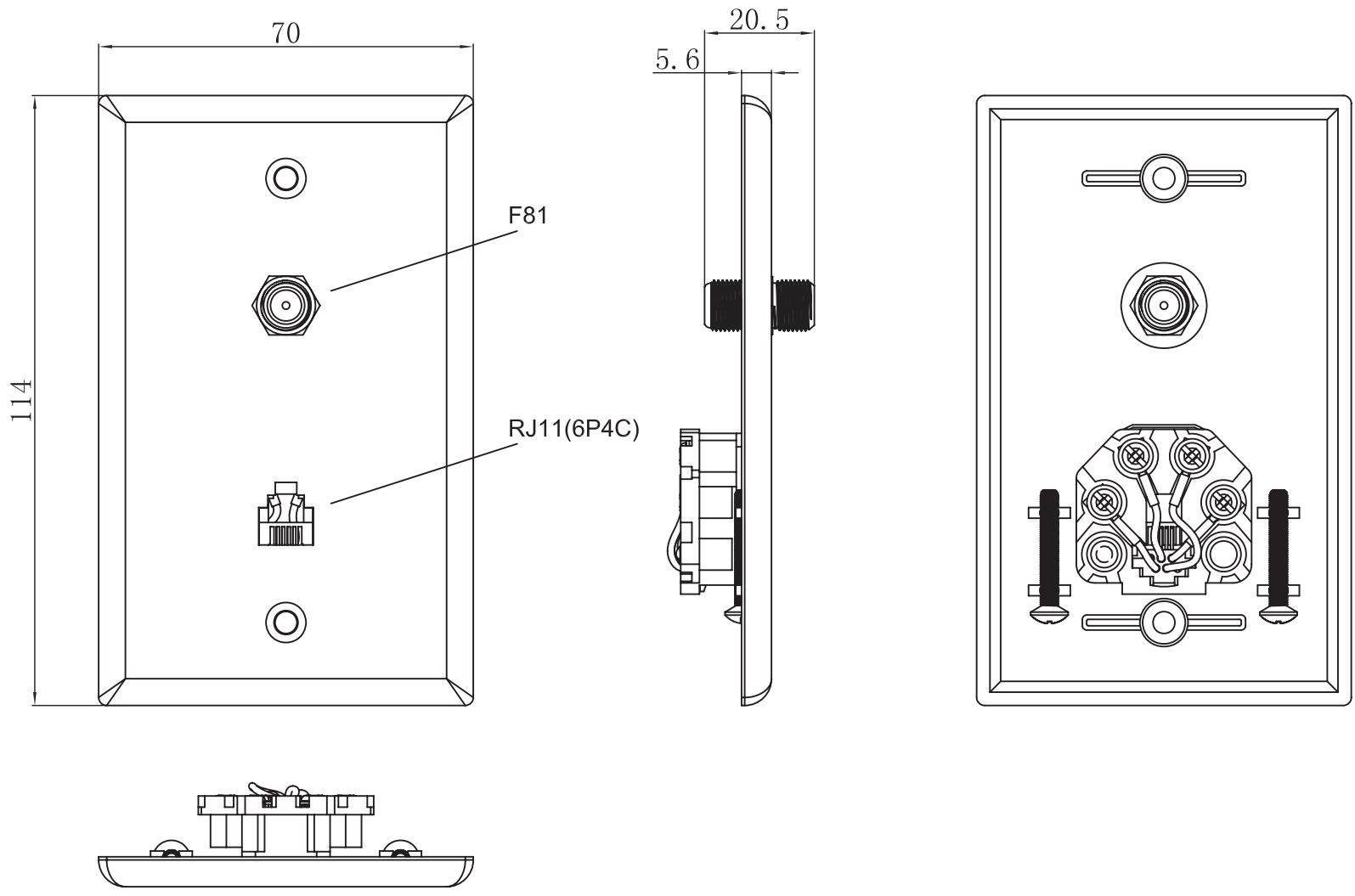




Structured Cable Products™

Quality Installations Deserve Quality Products



www.scpcat5e.com

			Tolerance: X. ±0.5 .X ±0.3 .XX ±0.10	SCALE: FREE	CUSTOMER:		Approved by	
			Angle: X° ±3° .X° ±1°	UNIT: mm	CUSTOMER P/N:		COMPANY P/N: 240-XX	
			REV.: 00		DWG. No.:		TITLE: Faceplate RJ11 and F81 with wiring	
REV.	DESCRIPTION	DATE		SHEET	1/1			Checked by
1								Design by
2								
3								
4								
5								
6								
7								