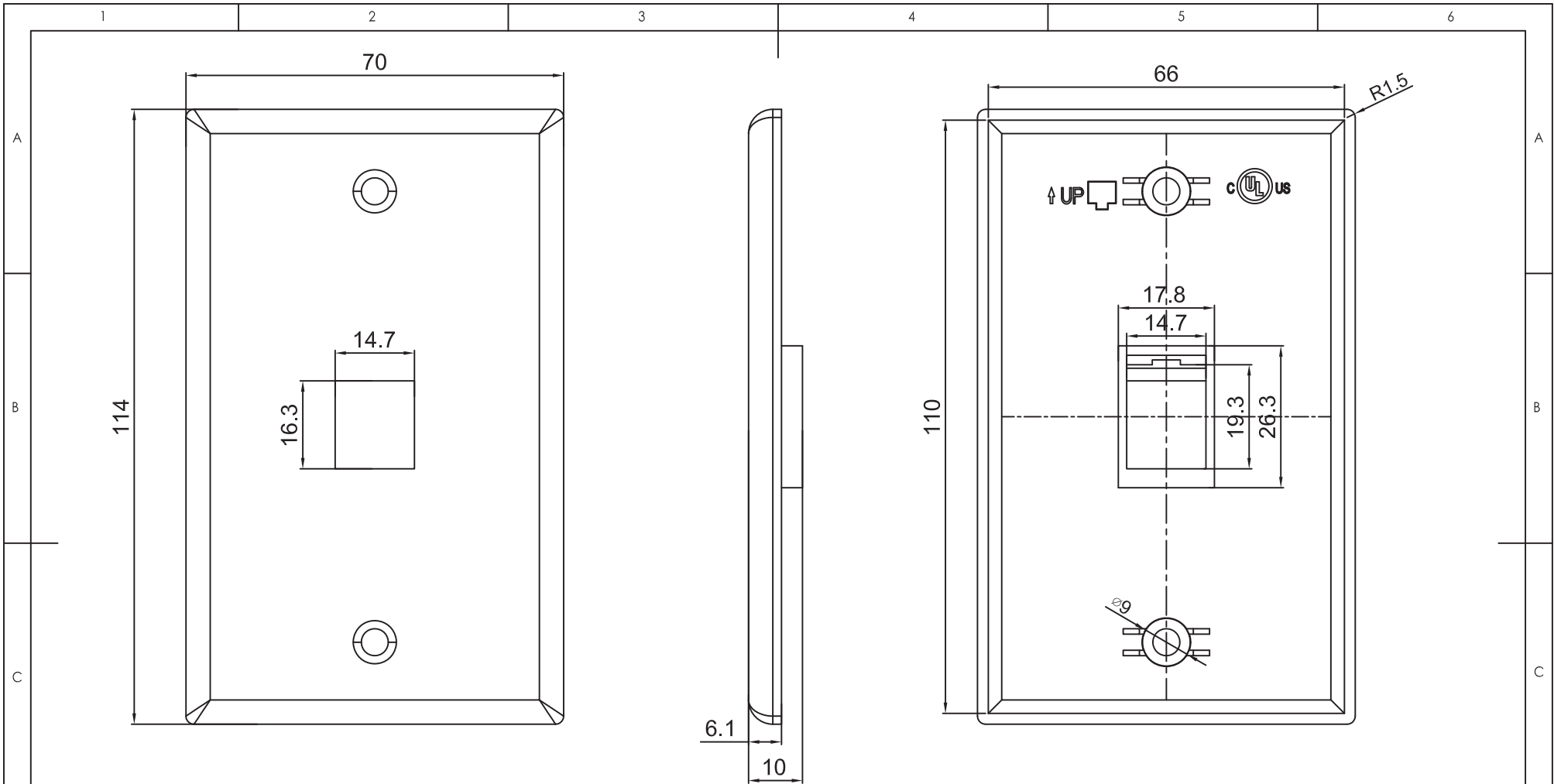




Structured Cable Products™
Quality Installations Deserve Quality Products



MATERIAL:

Plastic housing: ABS high-impact UL94V-0 thermoplastic
 Operating Temperature Range: -10°C to 60°C
 Storage Temperature Range: -40°C to 68°C
 Humidity: 10%~90%RH
 Technical requirements: Frosted surface

Colors Available: Black, Brown, Ivory, Light Almond & White

Scale	1:1	All Copy Rights Reserved			
3rd Angle Projection		1 PORT - KEYSTONE WALL PLATE - STANDARD SINGLE GANG, UL			
Unit	mm	SCP P/N			
Date	2015-09-16	201-XX			
Tolerance					
~20	~50	~150	150~	ANGLE	
±0.2	±0.4	±0.5	±1.5	±2°	
Drawn by			Checked by		
FHL			Santiago		