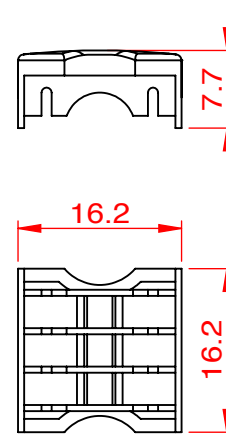
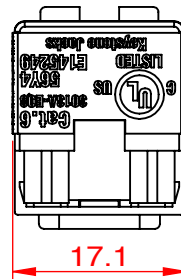
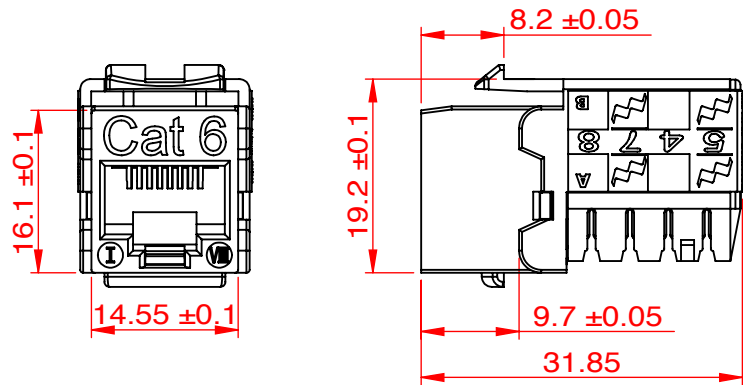


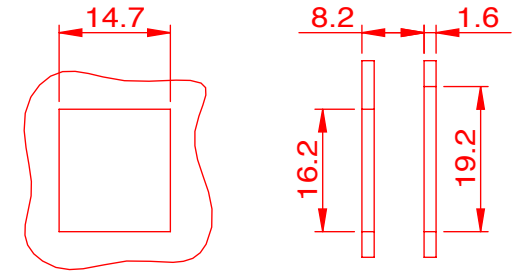


# Structured Cable Products

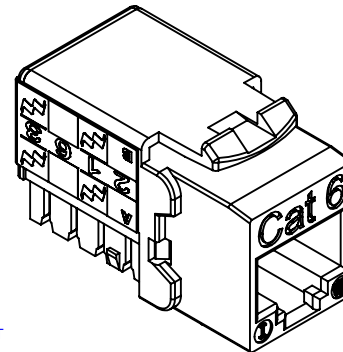
Quality Installations Deserve Quality Products



### SUGGESTED MOUNTING CUTOUT



ACCORDING TO ANSI/TIA-568-C.2  
REQUIREMENTS  
C6 CHANNEL COMPLIANT



**ENCLOSURE**  
IDC CAP X 1 PC

### MATERIAL

KEYSTONE JACK HOUSING : ABS HIGH-IMPACT UL94V-0 THERMOPLASTIC  
SPRING WIRE : PHOSPHOR BRONZE 5100W TEMPER WIRE,  $\phi=0.45\text{MM}$ , 3U" AU / 30U" PDNI OVER 60U" NICKEL UNDERCOAT  
IDC PLASTIC : POLYCARBONATE RESIN HIGH-IMPACT UL94V-0 THERMOPLASTIC  
IDC CONTACT : PHOSPHOR BRONZE C5191R-H, T=0.4MM, 150U" TIN OVER 80U" NICKEL UNDERCOAT

### PHYSICAL CHARACTERISTICS

SUITABLE IMPACT TOOL : 110 STYLE PUNCH DOWN TOOL.  
INSERTION LIFE : 750 MATING CYCLES WITH FCC COMPLIANT RJ-45 PLUG.  
CONTACT FORCE : 100 GRAMS WITH FCC COMPLIANT RJ-45 PLUG.  
PLUG RETENTION FORCE : 11 LBF MIN.  
DURABILITY : 200 TERMINATION CYCLES.  
CONTACT COMPATIBILITY : ACCOMMODATES 22 TO 26 AWG SOLID / 24 AWG STRANDED.  
OPERATING TEMPERATURE RANGE : -10°C TO 60°C.  
STORAGE TEMPERATURE RANGE : -40°C TO 68°C.  
HUMIDITY : 10%~90%RH.

### ELECTRICAL

INSULATION RESISTANCE : 500 M $\Omega$ .  
DIELECTRIC WITHSTANDING VOLTAGE : 1000 V AC.  
DC CURRENT RATING : 1.5 Amps.  
DC RESISTANCE : 0.1 $\Omega$ .  
CONTACT RESISTANCE : 20m $\Omega$ .

### NOTE

- WILL NOT SUPPORT CHANNEL SHORTER THAN 15M.
- DO NOT INSERT RJ-11 6P PLUG.



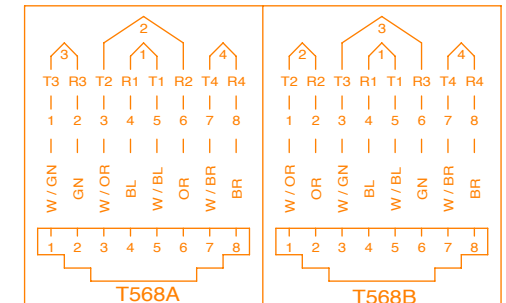
ETL Verified Channel to ANSI/TIA-568-B.2-1 Category 6.  
Certificate no : 3182868CRT-002b

Cat 6

56Y4  
E145249



COMMUNICATION  
CIRCUIT ACCESSORIES



Scale	4:3	All Copy Rights Reserved			
3rd Angle Projection		REV DATE 9/27/2013 JENNIFER			
Unit	mm	SCP PART #			
Date	2010/10/11	CAT6-JACK-IV			
Tolerance					
~20	~50	~150	150~	ANGLE	Drawn by
±0.2	±0.4	±0.5	±1.5	±2°	Checked by
					Kata Lo