

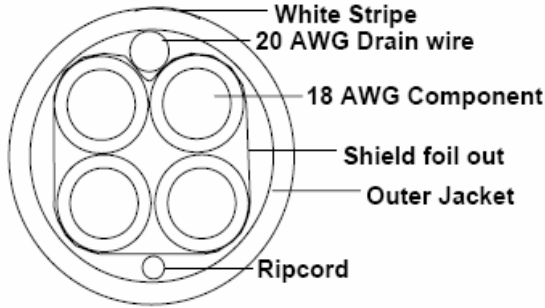
Product Specification sheet for:

LUTRON is a registered trademark of Lutron Electronics, Inc®

LUTRON-WHITE

LUTRON HOMEWORKS - 4C/18 AWG SHIELDED W/DRAIN - BLUE W/WHITE STRIPE

CONSTRUCTION DETAIL



DESCRIPTION

18 AWG 4 Conductor Bare Copper, Shielded
Non-Plenum, UL Type CL3 or CM, UL

PHYSICAL CONSTRUCTION

Component 1	18 AWG 7/26 bare copper conductors
Insulation	PVC 0.38mm thickness
Color Code	Black, Red, White, Green
4 of component 1 in a 4-inch lay	
Shield	100% Aluminum/Poly tape, with foil side facing out
Drain wire	20 AWG 7/28 tinned copper, in contact with the foil side of the shield
Nylon ripcord under the jacket.	
Jacket	PVC, 0.69mm thickness, Blue with Pink Stripe
Nominal Dia	6.1 mm

COLOR

Jacket Color: Blue with White Stripe Line

MARKING

STRUCTURED CABLE PRODUCTS --- CABLE FOR LUTRON
18 AWG 4C SHIELDED E308667 (UL) CL3
E301 ENT KIT FAM LR DR OFF BR1 BR2 BR3 "ROHS" 0000/1000FT

ELECTRICAL CHARACTERISTICS

DCR:	6.09 Ω per 1000 feet
Voltage:	600 Volts RMS
Temperature:	-20°C to 60°C

SPECIFICATION CONTROL

Structured Cable Products specifications are subject to change without notice. Please contact a sales representative for a current product specification. Structured Cable Products strives to ensure product specifications are complete, current, and accurate. Please note, all physical specifications are nominal.